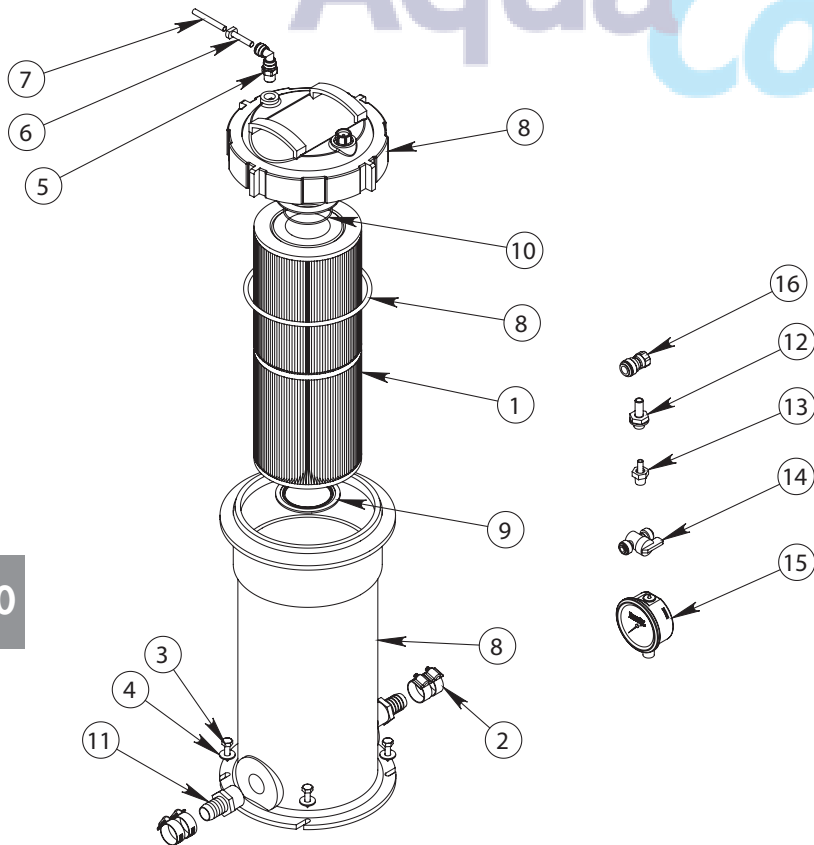


11. COMMERCIAL PREFILTER ASSY 32.5 SQ FT HRO HS B109120002

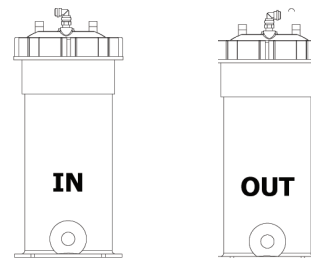
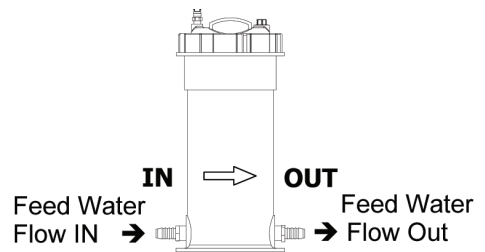
ITEM	PART NUMBER	DESCRIPTION	QTY	U/M
1	0801063357	ELEMENT CPFE 5 MIC 32.5 SQFT	1	EA
2	05181434AA	HOSE CLAMP 3/4" SS	4	EA
3	061172143016	SC HEX "A" 1/4 X 1 SS	4	EA
4	061100043000	WASHER FLAT OS 1/4"SS	4	EA
5	0204020100	ELB90 1/4 TUBE JG X 1/4 MNPT	1	EA
6	0204990300	PLUG 1/4 JG	1	EA
7	0312121969	TUBE 1/4 BLACK	15	FT
8	07620310WA	FILTER HOUSING 32.5SQFT >10/01	1	EA
9	3901040100	ADAPTER SPACER RING PVC	2	EA
10	2614018969	O-RING 2-034 ADAPTER SPACER	2	EA
11	0112653700	ADAP 3/4 MPT X 3/4 BARB NYLON	2	EA
12	0204090300	ADAPTER 3/8 X 1/4 BSP JG QUIK	1	EA
13	0204090400	ADAPTER 1/4 X 1/4 BSP JG QUIK	1	EA
14	1404553800	VALVE AIR BLEED 1/4TU X 1/4TU	1	EA
15	10180103CC	GAUGE -30/0/70 BPM.NPT	1	EA
16	0204092070	CONN 3/8" TUBE X 1/4" FNPT	1	EA

RECOMMENDED SPARES

PART NUMBER	DESCRIPTION
07620310WA-06	O-RING LID CPF/OWS 32.5 SQFT



Marine AquaControl Commercial Prefilter Connection and Water Flow



Commercial Prefilter is plumbed as per raised arrows and markings IN and OUT