

708-1 DRAWINGS

Aqua *Marine*
Control

8 7 6 5 4 3 2 1

NOTES:

1: ASSEMBLY PART NUMBERS ARE AS FOLLOWS:

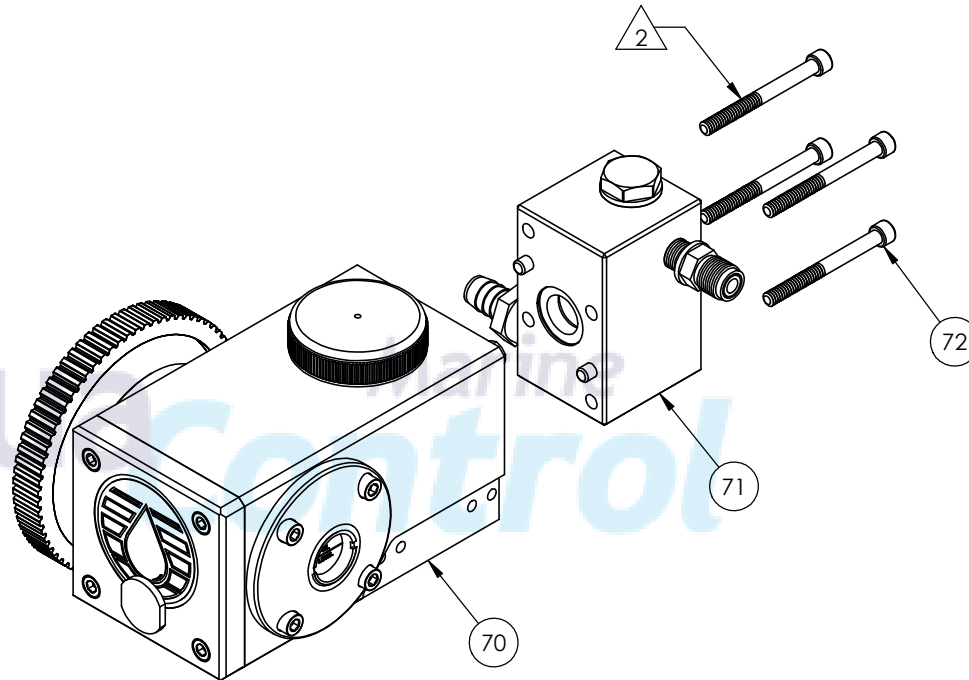
70-6073 PUMP, 708-1, .200 CRANKSHAFT

70-6074 PUMP, 708-1, .300 CRANKSHAFT

70-6075 PUMP, 708-1, .400 CRANKSHAFT

2. APPLY A LAYER OF GRAPHITE ANTISEIZE 85-0094 ON THREADS OF ITEM # 72 BEFORE MOUNTING.

REVISIONS			
REV.	DESCRIPTION	DATE	APPROVED
-	INITIAL RELEASE	5/27/05	BC
A	SHEETS 2 AND 3 HAVE BEEN REVISED	4/21/10	
B	ADD PULLEY, SEE SHT 2	11/15/12	TH TQD
C	PER ECO-0031589: ADD NOTE 2; RENUMBER PARTS LIST; REVISE P2, P3 - AS NOTED ON SHEETS	1/10/2013	TH TQD GA



Aqua Control

72	70-6046	SCREW, .25-20UNC-2A SHC X 2.50	4	4	4
71	70-6121	ASSEMBLY, 708-1 MANIFOLD	1	1	1
70	70-6131	ASSEMBLY, 708-1 CRANKCASE	-	-	1
70	70-6130	ASSEMBLY, 708-1 CRANKCASE	-	1	-
70	70-6129	ASSEMBLY, 708-1 CRANKCASE	1	-	-
ITEM	PART NUMBER	DESCRIPTION	QTY 708-1 200 GPD	QTY 708-1 300 GPD	QTY 708-1 400 GPD

3	2	1	SHT	REVISION
B	C	C	REV	STATUS OF SHEETS

SIZE B	TITLE ASSEMBLY, 708-1 MAIN	REV C
DATE: 05-27-05	B CHAIDEZ	SHEET 1 OF 3

8 7 6 5 4 3 2 1

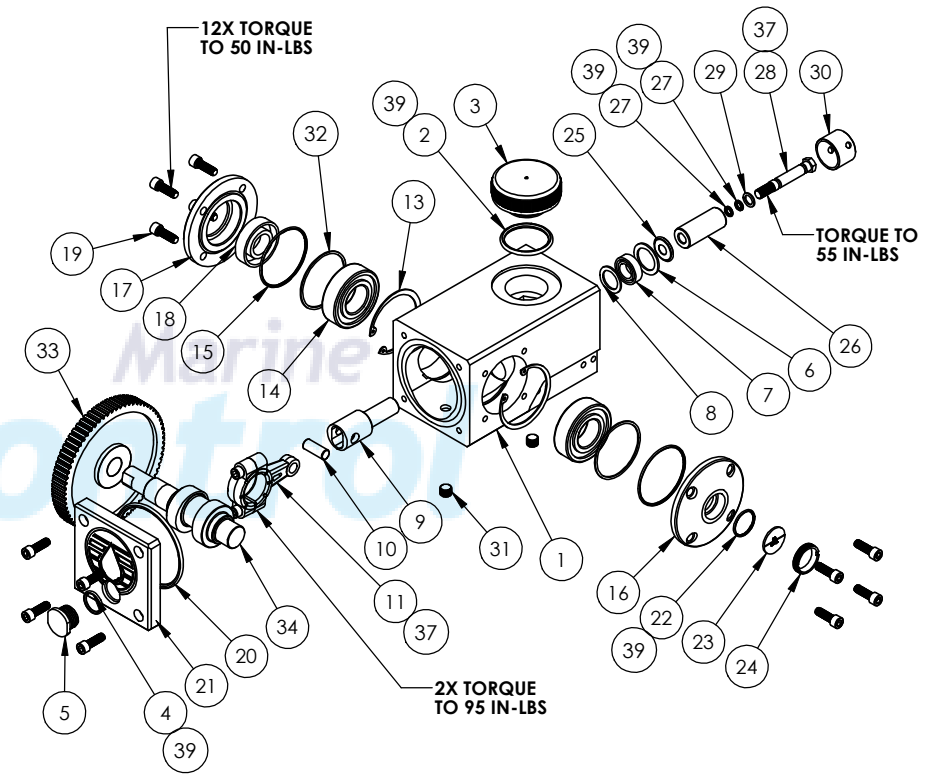
8 7 6 5 4 3 2 1

- NOTES:
 1) ASSEMBLY PART NUMBERS ARE AS FOLLOWS:
 70-6129 ASSY, CRANKCASE, 708-1, .200 CRANKSHAFT
 70-6130 ASSY, CRANKCASE, 708-1, .300 CRANKSHAFT
 70-6131 ASSY, CRANKCASE, 708-1, .400 CRANKSHAFT
 70-6113 KIT, REBUILD, CRANKCASE, 708-1
 70-6181 KIT, ROUTINE SERVICE, 708-1
 2) PART NUMBER 85-0087 AND 21-1122 ARE NOT SHOWN IN DRAWING
 3) ITEMS 9,10 AND 11 MAY BE PURCHASE UNDER THE FOLLOWING PART NUMBER:
 70-6128 ASSY, DRIVE, 708 SERIES PUMPS
 4) PUMP CRANKSHAFTS ARE STAMPED WITH A NUMBER 2, 3, OR 4 ON THE END THIS
 DENOTES THE OFFSET OF THE CRANKSHAFT STROKE. SEE DESCRIPTION FOR ITEM (12).

REVISIONS			
REV.	DESCRIPTION	DATE	APPROVED
-	INITIAL RELEASE	5/26/05	BC
A	MODIFIED BOM QTY TITLE, NOTE INCLUDES ITEMS NOT IN BOM TABLE	3/26/10	CC
B	ADD ITEM 32 & 33, PART 34 WAS PART 37 ADD PART 33 TO SHEET 2	11/15/12	TH TGD
C	PER ECO-0031589: ADD ITEM 37 - THREAD LOCKER: ADD ITEMS 37 & 39 BALLOONS; ADD: TORQUES	1/10/13	TH TGD GA

39	21-1122	SILICONE GREASE	-	-	-	-	1
38	85-0087	ANTISIEZE, NM.91	-	-	-	1	1
37	90-0225	LOCKTITE 262, THREAD LOCKER	AR	AR	AR	-	-
36	-	NOT USED	-	-	-	-	-
35	-	NOT USED	-	-	-	-	-
34	70-6050	CRANKSHAFT,708-1,.200	1	-	-	-	-
33	70-0597	PULLEY	1	1	1	-	-
32	70-0031	SPACER,CRANKSHAFT,708-1	2	2	2	-	-
31	30-1106	PLUG, CRANKCASE	2	2	2	-	-
30	70-6014	RETAINER,SEAL,708-1/3 SERIES	1	1	1	1	-
29	70-6035	WASHER, PLUNGER RETAINER, 708 SERIES	1	-	-	-	-
28	70-6011	BOLT, PLUNGER RETAINER, 708 SERIES	1	1	1	-	-
27	70-6012	O-RING, PLUNGER RETAINER	2	2	2	2	-
26	70-6013	PLUNGER, 708 SERIES	1	1	1	-	-
25	70-6015	SLINGER, PLUNGER, 708 SERIES	1	1	1	-	-
24	70-6043	RETAINER, SIGHTGLASS	1	1	1	-	-
23	70-6044	SIGHTGLASS, OIL	1	1	1	-	-
22	70-6082	O-RING, OIL SIGHTGLASS	1	1	1	1	-
21	70-6049	COVER, CRANKCASE, 708-1	1	1	1	-	-
20	70-6048	O-RING, REAR COVER, 708-1	1	1	1	1	-
19	86-0151	CAPSCREW, SKT HD, .25-20UNC-2A, .75, 316 CRES	12	12	12	-	-
18	70-6038	SEAL, OIL, CRANKSHAFT, 708-1/3	1	1	1	1	-
17	70-6041	CAP, PULLEY BEARING, 708 SERIES	1	1	1	-	-
16	70-6042	CAP, GUIDE BEARING, 708 SERIES	1	1	1	-	-
15	70-6039	O-RING, BEARING CAP	2	2	2	2	-
14	70-6037	BEARING, CRANKSHAFT, 708-1/3	2	2	2	-	-
13	70-1281	RING, SNAP, 708 SERIES	2	2	2	-	-
12	70-6052	CRANKSHAFT, 708-1, 29 GPH (.4" STROKE)	-	-	1	-	-
12	70-6051	CRANKSHAFT, 708-1, 22 GPH (.3" STROKE)	-	1	-	-	-
11	70-6033	ASSY, CONNECTING ROD, 708 SERIES	1	1	1	-	-
10	70-0382	PIN, DOWEL, M9, 22, STL	1	-	-	-	-
9	70-6067	PLUNGER, 708 SERIES	1	1	1	-	-
8	70-6019	WASHER, OIL SEAL, INNER, 708 SERIES	1	1	1	-	-
7	70-6018	SEAL, OIL, 708 SERIES	1	1	1	1	1
6	70-6017	WASHER, OIL SEAL, OUTER, 708 SERIES	1	1	1	-	-
5	70-0696	PLUG, MS18829-08	1	1	1	-	-
4	30-1286	O-RING, PLUG, OIL DRAIN	1	1	1	1	-
3	70-6030	CAP, OIL FILLER, PUMP, 708 SERIES	1	1	1	-	-
2	70-6029	O-RING, OIL FILLER CAP	1	1	1	1	-
1	70-6045	CRANKCASE,708-1,AL	1	1	1	-	-

ITEM	PART NUMBER	DESCRIPTION	QTY .200 STROKE (70-6129)	QTY .300 STROKE (70-6130)	QTY .400 STROKE (70-6131)	QTY REBUILD KIT (70-6113)	QTY SERVICE KIT (70-6181)
------	-------------	-------------	---------------------------	---------------------------	---------------------------	---------------------------	---------------------------



SIZE B	TITLE ASSEMBLY, 708-1 CRANKCASE	REV C
DATE: 05-26-05	B CHAIDEZ	SHEET 2 OF 3

8 7 6 5 4 3 2 1

8 7 6 5 4 3 2 1

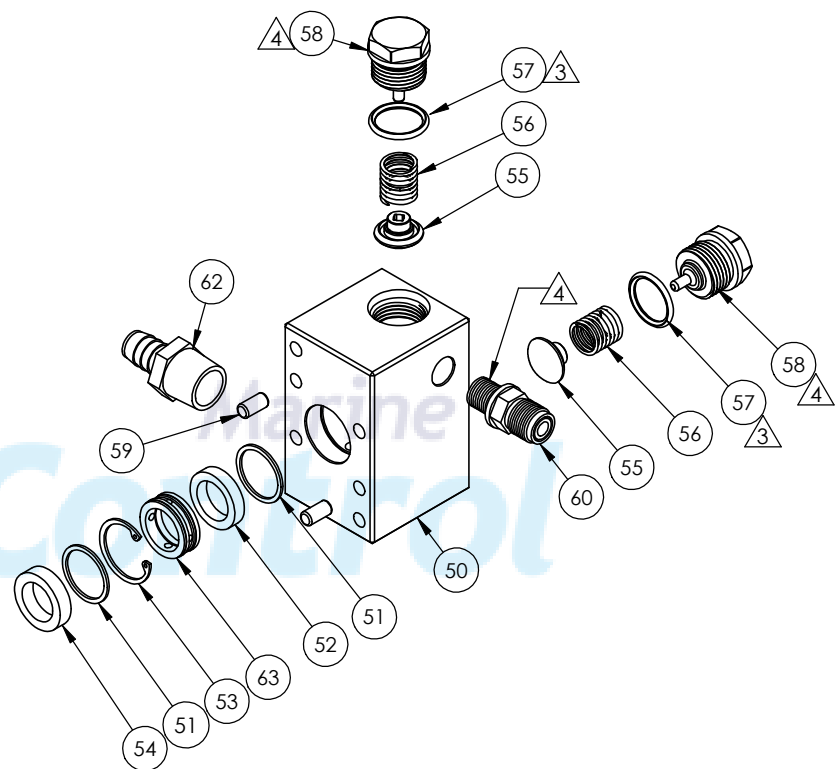
NOTES:
 1) ASSEMBLY PART NUMBERS ARE AS FOLLOWS:
 70-6121 ASSY, MANIFOLD, 708-1
 70-6079 KIT, REBUILD, MANIFOLD, 708-1
 70-6181 KIT, SERVICE KIT, 708-1

2) ~~PART NO. 8500087 AND 21-0022 ARE NOT SHOWN IN DRAWING.~~

3) APPLY A THIN LAYER OF SILICONE GREASE ITEM 65 (21-0022) TO ALL O-RINGS.

4) APPLY A LAYER OF GRAPHITE ANTISEIZE ITEM 64 (OR P/N 90-0928) TO ALL CONTACT THREADS OF ITEMS 58 & 60 BEFORE MOUNTING.

REVISIONS			
REV.	DESCRIPTION	DATE	APPROVED
	INITIAL RELEASE	5/27/05	BC
A	MODIFIED BOM QTY TITLE, NOTE INCLUDES ITEMS NOT IN BOM TABLE	3/26/10	CC
B	PER ECO-0031589; DEL: NOTE 2; ADD: NOTES 3,4; RENUMBER P/LIST.	1/10/13	GH TGD GA



65	21-1122	SILICONE GREASE	-	1	1
64	85-0094	ANTISEIZE, GRAPHITE, FOOD GRADE	-	-	1
63	70-3018	ASSY, WEEP RING, 708 SERIES	1	1	-
62	30-0453	ADAPTER, LP INLET, 708-1	1	-	-
60	30-0946	ADAPTER, HP DISCHARGE, 708-1	1	-	-
59	70-6087	PIN, MANIFOLD, 708 SERIES	2	-	-
58	70-6001	PLUG, VALVE, STANDARD, 708 SERIES	2	-	-
57	70-6002	O-RING, OIL DRAIN/VALVE PLUG	2	2	2
56	70-6003	SPRING, VALVE, 708 SERIES	2	2	2
55	70-6093	VALVE, 708 SERIES	2	2	2
54	70-6009	SEAL, LP, 708 SERIES	1	1	1
53	70-6010	RING, SNAP, 708 SERIES	1	1	-
52	70-0071	SEAL, HP, 708 SERIES	1	1	-
51	70-6016	RING, SPACER, SEAL, 708 SERIES	2	2	-
50	70-6047	MANIFOLD, 708-1	1	-	-

ITEM	PART NUMBER	DESCRIPTION	QTY (70-6121)	QTY REBUILD KIT (70-6079)	QTY SERVICE KIT (70-6181)
------	-------------	-------------	---------------	---------------------------	---------------------------

SIZE B	TITLE ASSEMBLY, 708-1 MANIFOLD	REV B
DATE: 05-27-05	B CHAIDEZ	SHEET 3 OF 3

8 7 6 5 4 3 2 1