

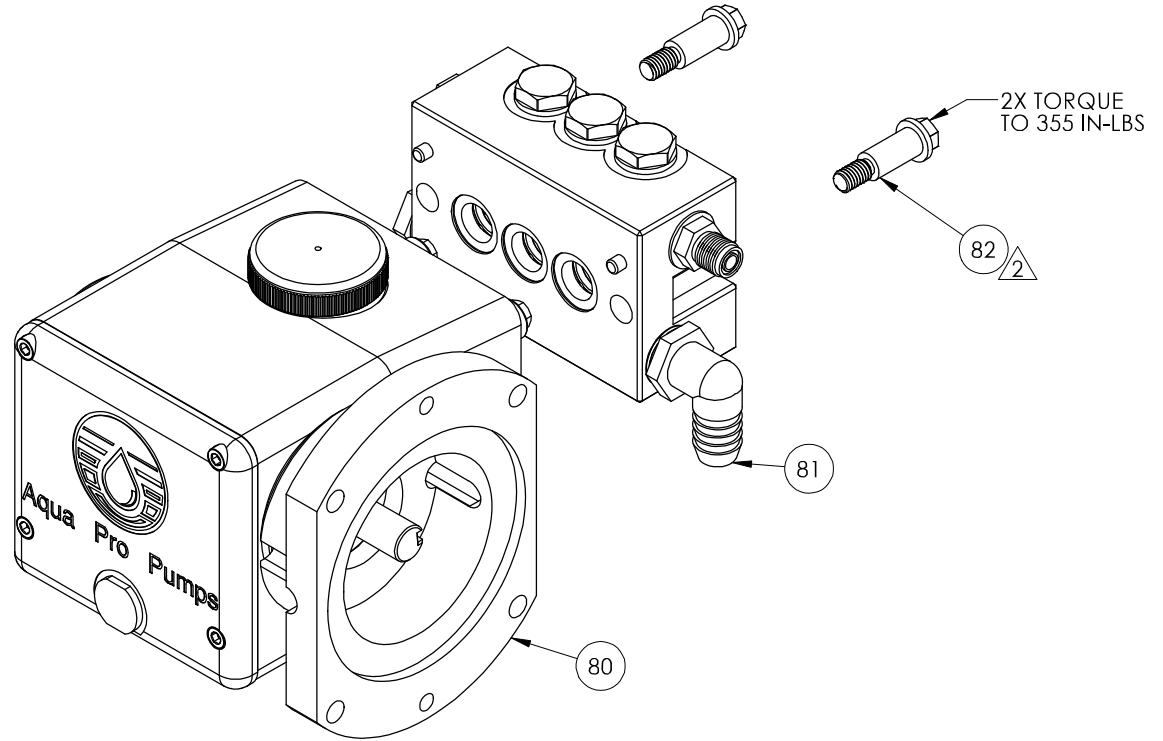
8 7 6 5 4 3 2 1

NOTES:

- 1: ASSEMBLY PART NUMBERS ARE AS FOLLOWS:
 70-6076 PUMP, 708-3, 2.3 GPM, LEFT CRANKSHAFT
 70-6126 PUMP, 708-3, 2.3 GPM, RIGHT CRANKSHAFT
 70-6072 PUMP, 708-3, 3.5 GPM

2 APPLY A LAYER OF GRAPHITE ANTISEIZE 85-0094

REVISIONS			
REV	DESCRIPTION	DATE	APPROVED
-	INITIAL RELEASE	3/14/05	BC
A	SHEETS 2 AND 3 HAVE BEEN REVISED	4/21/10	
B	ECO-0031541 - RENUMBER P/L; ADD: NOTE 2 & TORQUE INFO	1/31/13	TH TD DM



82	70-6008	BOLT, SHOULDER, MANIFOLD	2	2
81	70-6119	ASSEMBLY, 708-3 MANIFOLD	-	1
81	70-6118	ASSEMBLY, 708-3 MANIFOLD	1	-
80	70-6125	ASSEMBLY, 708-3 CRANKCASE	-	1
80	70-6124	ASSEMBLY, 708-3 CRANKCASE	1	-
ITEM	PART NUMBER	DESCRIPTION	QTY 708-3 2.3 GPM	QTY 708-3 3.5 GPM

3	2	1	SHT	REVISION
B	B	B	REV	STATUS OF SHEETS

SIZE B	TITLE ASSEMBLY, 708-3 MAIN	REV B
DATE: 03-14-05 J RODRIGUEZ		SHEET 1 OF 3

8 7 6 5 4 3 2 1

8 7 6 5 4 3 2 1

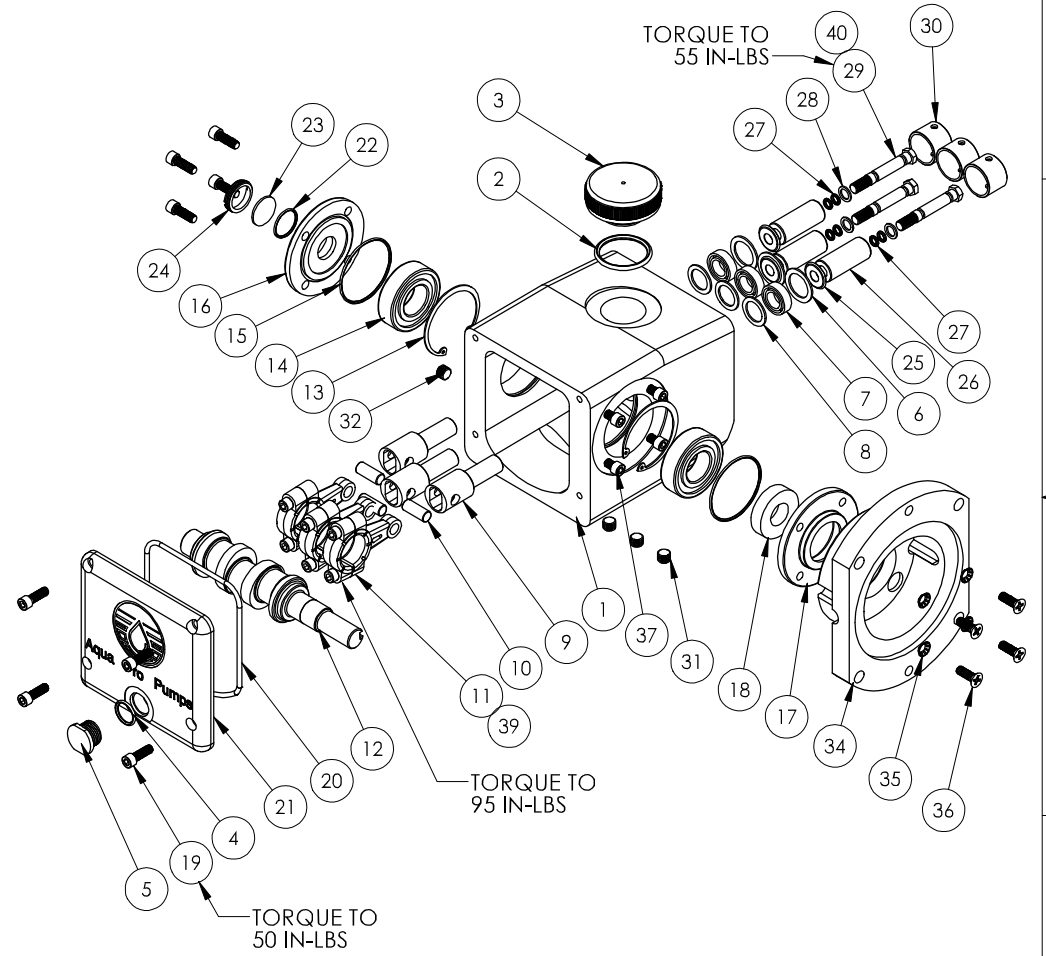
NOTES:

- 1) ASSEMBLY PART NUMBERS ARE AS FOLLOWS:
 70-6124 ASSY, CRANKCASE, 708-3, 2.3 GPM
 70-6125 ASSY, CRANKCASE, 708-3, 3.5 GPM
 70-6112 KIT, REBUILD, CRANKCASE, 2.3/3.5 GPM
 70-6182 KIT, ROUTINE SERVICE, 708-3, 2.3
 70-6183 KIT, ROUTINE SERVICE, 708-3, 3.5
- 2) PART NUMBER 85-0087 AND 21-1122 ARE NOT SHOWN IN DRAWING
- 3) ITEMS 9, 10 AND 11 MAY BE PURCHASED UNDER THE FOLLOWING PART NUMBER.
 70-6128 ASSY, DRIVE, 708 SERIES PUMPS

REV.	DESCRIPTION	DATE	APPROVED
-	INITIAL RELEASE	3/14/05	BC
A	MODIFIED BOM QTY TITLE. NOTE INCLUDES ITEMS NOT IN BOM TABLE	3/26/10	CC
B	ECO-0031541 - RENUMBER PARTS 37, 38, 39; ADD: #40, BALLOONS & TORQUES	1/31/13	TH TD DM

40	90-0223	LOCKTITE 252, THREAD LOCKER	A/R	A/R	1	1	1
39	21-1122	SILICONE GREASE	-	-	-	1	1
38	85-0087	ANTISIEZE NM-91	A/R	A/R	1	1	1
37	86-0151	CAPSCREW, SKT HD, .25-20UNC-2A, .75, 316 CRES	4	-	-	-	-
36	70-0159	SCREW, BELL HOUSING	4	-	-	-	-
35	70-0192	WASHER, EXTERNAL TOOTH, BELL HOUSING	4	-	-	-	-
34	70-6040	HOUSING, BELL, 708-3	1	-	-	-	-
33	-	NOT USED	-	-	-	-	-
32	30-0157	PLUG, CRANKCASE, SIDE	1	1	-	-	-
31	30-1106	PLUG, CRANKCASE	3	3	-	-	-
30	70-6014	RETAINER, SEAL, 708-1/3 SERIES	3	3	3	-	-
29	70-6011	BOLT, PLUNGER RETAINER, 708 SERIES	3	3	-	-	-
28	70-6035	WASHER, PLUNGER RETAINER, 708 SERIES	3	-	-	-	-
27	70-6012	O-RING, PLUNGER RETAINER	6	6	6	-	-
26	70-6013	PLUNGER, 708 SERIES	3	3	-	-	-
25	70-6015	SLINGER, PLUNGER, 708 SERIES	3	3	-	-	-
24	70-6043	RETAINER, SIGHTGLASS	1	1	-	-	-
23	70-6044	SIGHTGLASS, OIL	1	1	-	-	-
22	70-6082	O-RING, OIL SIGHTGLASS	1	1	1	-	-
21	70-6023	COVER, CRANKCASE, 708-3	1	1	-	-	-
20	70-6022	O-RING, REAR COVER, 708-3	1	1	1	-	-
19	86-0151	CAPSCREW, SKT HD, .25-20UNC-2A, .75, 316 CRES	8	12	-	-	-
18	70-6038	SEAL, OIL, CRANKSHAFT, 708-1/3	1	1	1	-	-
17	70-6041	CAP, PULLEY BEARING, 708 SERIES	1	1	-	-	-
16	70-6042	CAP, GUIDE BEARING, 708 SERIES	1	1	-	-	-
15	70-6039	O-RING, BEARING CAP	2	2	2	-	-
14	70-6037	BEARING, CRANKSHAFT, 708-1/3	2	2	-	-	-
13	70-1281	RING, SNAP, 708 SERIES	2	2	-	-	-
12	70-6031	CRANKSHAFT, 708-3, 3.5 GPM	-	1	-	-	-
12	70-6032	CRANKSHAFT, 3 PLGR, 2.3 GP	1	-	-	-	-
11	70-6033	ASSY, CONNECTING ROD, 708 SERIES	3	3	-	-	-
10	70-0382	PIN, DOWEL, DRIVE ASSY	3	3	-	-	-
9	70-6067	PLUNGER, 708 SERIES	3	3	-	-	-
8	70-6019	WASHER, OIL SEAL, INNER, 708 SERIES	3	3	-	-	-
7	70-6018	SEAL, OIL, 708 SERIES	3	3	3	3	3
6	70-6017	WASHER, OIL SEAL, OUTER, 708 SERIES	3	3	-	-	-
5	70-0696	PLUG, MS18829-08	1	1	-	-	-
4	30-1286	O-RING, PLUG, OIL DRAIN	1	1	1	-	-
3	70-6030	CAP, OIL FILLER, PUMP, 708 SERIES	1	1	-	-	-
2	70-6029	O-RING, OIL FILLER CAP	1	1	1	-	-
1	70-6020	CRANKCASE, 708-3	1	1	-	-	-

ITEM	PART NUMBER	DESCRIPTION	QTY 2.3 GPM (70-6124)	QTY 3.5 GPM (70-6125)	QTY REBUILD KIT (70-6112)	QTY 2.3 SERVICE KIT (70-6182)	QTY 3.5 SERVICE KIT (70-6183)
------	-------------	-------------	-----------------------	-----------------------	---------------------------	-------------------------------	-------------------------------



SIZE	TITLE	REV
B	ASSEMBLY, 708-3 CRANKCASE	B
DATE: 03-14-05	J RODRIGUEZ	SHEET 2 OF 3

8 7 6 5 4 3 2 1

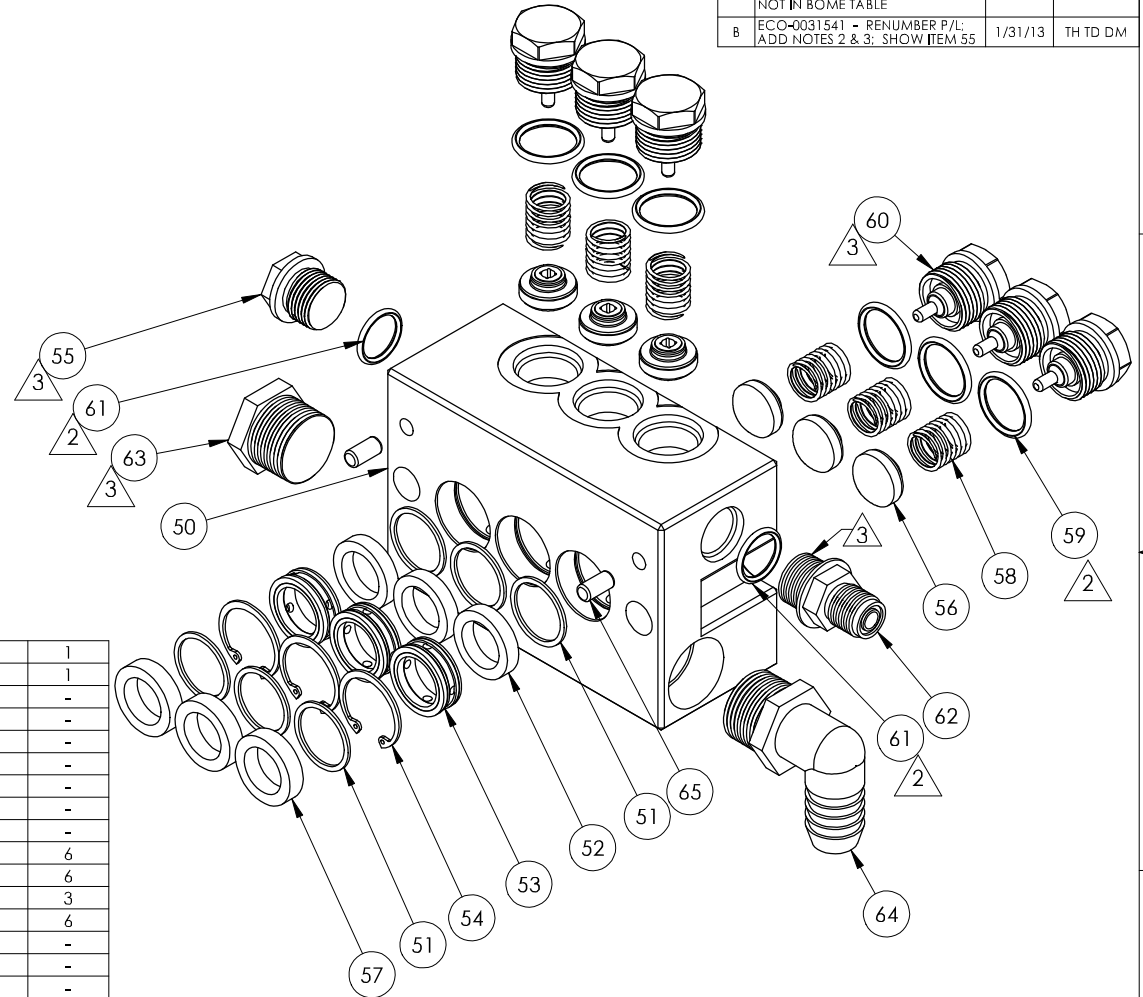
NOTES:

- 1) ASSEMBLY PART NUMBERS ARE AS FOLLOWS:
 70-6118 ASSY, MANIFOLD, 708-3, 2.3 GPM
 70-6119 ASSY, MANIFOLD, 708-3, 3.5 GPM
 70-6110 KIT, REBUILD, MANIFOLD, 708-3, 2.3 GPM
 70-6111 KIT, REBUILD, MANIFOLD, 708-3, 3.5 GPM
 70-6182 KIT, ROUTINE SERVICE, 708-3,2.3
 70-6183 KIT, ROUTINE SERVICE, 708-3,3.5

2) APPLY A THIN LAYER OF SILICONE GREASE,
 P/N 21-1122, TO ALL O-RINGS.

3) APPLY A LAYER OF GRAPHITE ANTI SEIZE,
 P/N 85-0094 TO ALL THREADS.

REVISIONS			
REV.	DESCRIPTION	DATE	APPROVED
-	INITIAL RELEASE	3/14/05	BC
A	UPDATED BOM TABLE. 70-6104 IS NOW 70-6096. 70-3018 IS NOW 70-6006. NOTE INCLUDES ITEMS NOT IN BOME TABLE	3/29/10	CC
B	ECO-0031541 - RENUMBER P/L: ADD NOTES 2 & 3. SHOW ITEM 55	1/31/13	TH TD DM



67	21-1122	SILICONE GREASE	-	-	1	1	1	1
66	85-0094	ANTISEIZE, GRAPHITE FOOD GRADE	-	-	-	-	1	1
65	70-6087	PIN, MANIFOLD, 708 SERIES	2	2	-	-	-	-
64	30-0441	ADAPTER, LP INLET, 708-3/5	1	1	-	-	-	-
63	30-0573	PLUG, LP INLET, 708-3/5	1	1	-	-	-	-
62	30-1082	ADAPTER, HP DISCHARGE, 708 SERIES	1	1	-	-	-	-
61	30-1286	O-RING, PLUG, OIL DRAIN	2	2	2	2	-	-
60	70-6001	PLUG, VALVE, 708 SERIES	-	6	-	-	-	-
60	70-0660	PLUG, VALVE, HD, 708 SERIES	6	-	-	-	-	-
59	70-6002	O-RING, OIL DRAIN/VALVE PLUG	6	6	6	6	6	6
58	70-6003	SPRING, VALVE, 708 SERIES	6	6	6	6	6	6
57	70-6009	SEAL, LP, 708 SERIES	3	3	3	3	3	3
56	70-6096	VALVE, STANDARD, 708 SERIES	-	6	-	6	-	6
56	70-6104	ASSY, VALVE, HVY DUTY, 708 SERIES	6	-	6	-	6	-
55	70-3052	PLUG, HP DISCHARGE, 708-3/5	1	1	-	-	-	-
54	70-6010	RING, SNAP, 708 SERIES	3	3	3	3	-	-
53	70-3018	ASSY, WEEP RING, 708 SERIES	3	3	3	3	-	-
52	70-0071	SEAL, HP, 708 SERIES	3	3	3	3	-	-
51	70-6016	RING, SPACER, SEAL, 708 SERIES	6	6	6	6	-	-
50	70-6000	MANIFOLD, 708 SERIES, 3 PLUNGER	1	1	-	-	-	-

ITEM	PART NUMBER	DESCRIPTION	QTY 3.5 GPM (70-6119)	QTY 2.3 GPM (70-6118)	QTY 3.5 REBUILD KIT (70-6111)	QTY 2.3 REBUILD KIT (70-6110)	QTY 3.5 SERVICE KIT (70-6183)	QTY 2.3 SERVICE KIT (70-6182)
------	-------------	-------------	-----------------------	-----------------------	-------------------------------	-------------------------------	-------------------------------	-------------------------------

SIZE	TITLE	REV
B	ASSEMBLY, 708-3 MANIFOLD	B
DATE: 03-14-05		J RODRIGUEZ
		SHEET 3 OF 3