

8 7 6 5 4 3 2 1

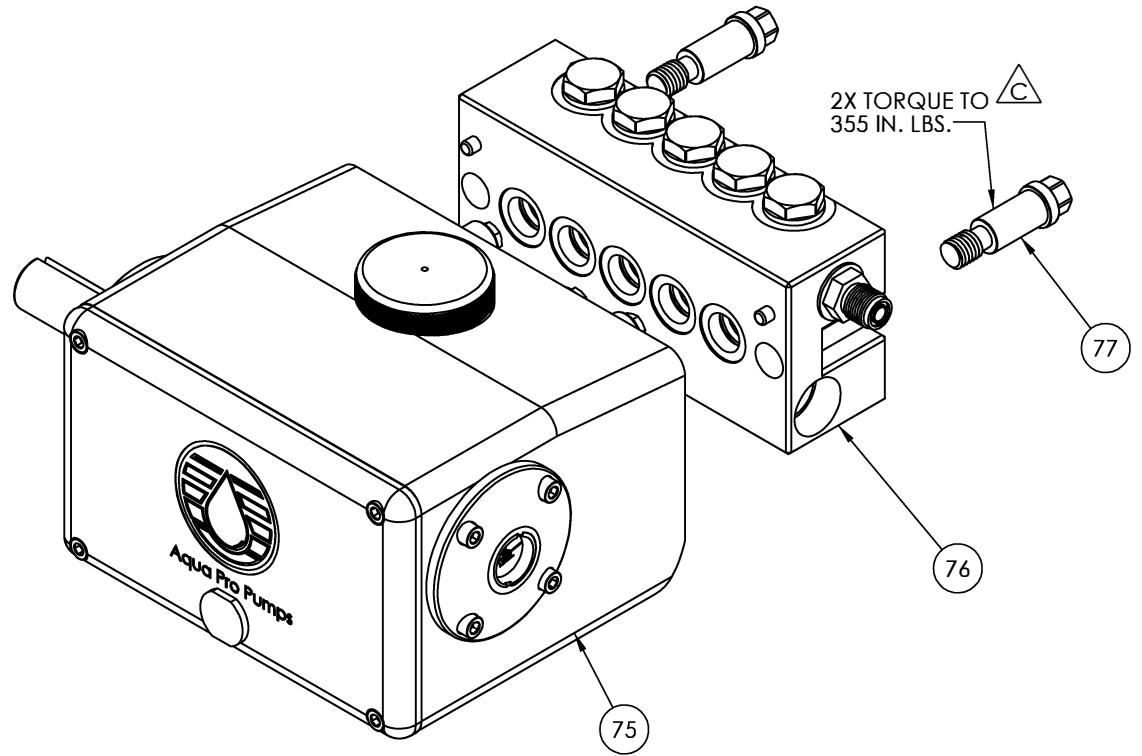
REVISIONS			
REV.	DESCRIPTION	DATE	APPROVED
-	INITIAL RELEASE	3/14/05	BC
A	SHEETS 2 AND 3 HAVE BEEN REVISED	4/21/10	CC
B	ADD: SPEC NOES	5/30/12	TH GA
C	ECO-0031312: ADD TORQUES - UPDATE EACH SHEET TO CURRENT STANDARDS - RENUMBER CONFLICTING PARTS LISTS	1/25/13	TH TQD GA

NOTES:
 1: ASSEMBLY PART NUMBERS ARE AS FOLLOWS:
 70-6178 PUMP, 708-5, 8.0 GPM
 70-6097 PUMP, 708-5, 8.0 GPM, LEFT CRANKSHAFT

SPEC

CAPACITY: FLOW RATE - 8 GPM
 MAX INLET PRESSURE - 60 PSI
 MAX RPM - 1500

LUBRICATION: VMT PUMP OIL - 85-0050 $\triangle C$
 ANTI-SIEZE - 85-0094
 LOCTITE - RED



3	2	1	SHT	REVISION
D	C	C	REV	STATUS OF SHEETS

77	70-6055	BOLT, .50-13UNC-2A, SHOULDER	2
76	70-6123	ASSEMBLY, 708-5 MANIFOLD	1
75	70-6127	ASSY, CRANKCASE, 708-5	1
ITEM NO.	PART NUMBER	DESCRIPTION	QTY.

SIZE	TITLE	REV
B	ASSEMBLY, 708-5 MAIN	C
DATE: 03-14-05	J RODRIGUEZ	SHEET 1 OF 3

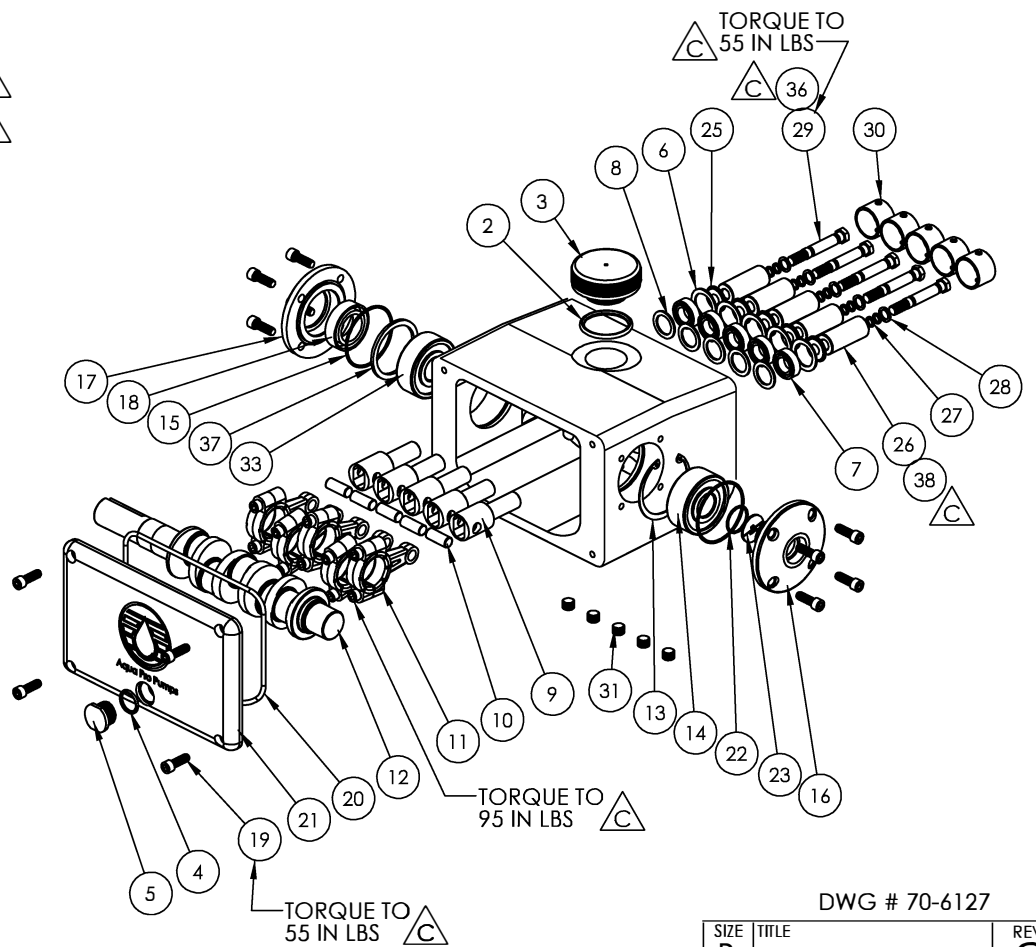
8 7 6 5 4 3 2 1

NOTES:

- 1) ASSEMBLY PART NUMBERS ARE AS FOLLOWS:
 70-6127 ASSY, CRANKCASE, 708-5, 8.0 GPM
 70-6107 KIT, REBUILD, CRANKCASE, 708-5
 70-6184 KIT, ROUTINE SERVICE, 708-5
- 2) PART NUMBERS 85-0087 AND 21-1122 ARE NOT SHOWN IN DRAWING
- 3) ITEMS 9, 10 AND 11 MAY BE PURCHASED UNDER THE FOLLOWING PART NUMBER.
 70-6128 ASSY, DRIVE, 708 SERIES PUMPS

REVISIONS			
REV	DESCRIPTION	DATE	APPROVED
-	INITIAL RELEASE	3/14/05	BC
A	MODIFIED BOM QTY TITLE, NOTE INCLUDES ITEM NOT IN BOM TABLE	3/30/10	CC
B	UPDATED BOM	10/29/10	CC
C	ECO-0031312; ADD: ITEM 36; ADD: NM91 TO ITEM 38; ADD: TORQUES	1/25/13	TH TOD GA

39	21-1122	SILICONE GREASE	-	1	1	-
38	85-0087	ANTISIEZE NM91	-	1	1	-
37	70-0412	SPACER, BEARING, PULLEY SIDE, 708-5	1	-	-	-
36	90-0225	LOCTITE 262, THREAD LOCKER	A/R	-	-	-
35	-	NOT USED	-	-	-	-
34	-	NOT USED	-	-	-	-
33	70-0311	BEARING, PULLEY, 708-5	1	-	-	-
32	-	NOT USED	-	-	-	-
31	30-1106	PLUG, CRANKCASE	5	-	-	-
30	70-6114	RETAINER, SEAL, 708 SERIES	5	5	-	-
29	70-6011	BOLT, PLUNGER RETAINER, 708 SERIES	5	-	-	-
28	70-6035	WASHER, PLUNGER RETAINER, 708 SERIES	5	-	-	-
27	70-6012	O-RING, PLUNGER RETAINER	10	10	-	-
26	70-6013	PLUNGER, 708 SERIES	5	-	-	-
25	70-6015	SLINGER, PLUNGER, 708 SERIES	5	-	-	-
24	70-6043	RETAINER, SIGHTGLASS	1	-	-	-
23	70-6044	SIGHTGLASS, OIL	1	-	-	-
22	70-6082	O-RING, OIL SIGHTGLASS	1	1	-	-
21	70-6057	COVER, CRANKCASE, 708-5	1	-	-	-
20	70-6058	O-RING, REAR COVER, 708-5	1	1	-	-
19	86-0151	CAPSCREW, SKT HD, .25-20UNC-2A, .75, 316 CRES	12	-	-	-
18	70-6061	SEAL, OIL, CRANKSHAFT, 708-5	1	1	-	-
17	70-6041	CAP, PULLEY BEARING, 708 SERIES	1	-	-	-
16	70-6042	CAP, GUIDE BEARING, 708 SERIES	1	-	-	-
15	70-6039	O-RING, BEARING CAP	2	2	-	-
14	70-6060	BEARING, GUIDE, 708-5	1	-	-	-
13	70-1281	RING, SNAP, 708 SERIES	1	-	-	-
12	70-6059	CRANKSHAFT, 708-5, 8 GPM	1	-	-	-
11	70-6033	ASSY, CONNECTING ROD, 708 SERIES	5	-	-	5
10	70-0382	PIN, DOWEL, DRIVE ASSY	5	-	-	5
9	70-6067	PLUNGER, 708 SERIES	5	-	-	5
8	70-6019	WASHER, OIL SEAL, INNER, 708 SERIES	5	-	-	-
7	70-6018	SEAL, OIL, 708 SERIES	5	5	5	-
6	70-6017	WASHER, OIL SEAL, OUTER, 708 SERIES	5	-	-	-
5	70-0696	PLUG, MS18829-08	1	-	-	-
4	30-1286	O-RING, PLUG, OIL DRAIN	1	1	-	-
3	70-6030	CAP, OIL FILLER, PUMP, 708 SERIES	1	-	-	-
2	70-6029	O-RING, OIL FILLER CAP	1	1	-	-
1	70-6056	MACHINE, 70-6056	1	-	-	-



DWG # 70-6127

SIZE	TITLE	REV
B	ASSY, CRANKCASE, 708-5	C
DATE: 03-14-05 J RODRIGUEZ SHEET 2 OF 3		

ITEM	PART NUMBER	DESCRIPTION	QTY (70-6127)	QTY REBUILD KIT (70-6107)	QTY SERVICE KIT (70-6184)	QTY SERVICE KIT (70-6128)
------	-------------	-------------	---------------	---------------------------	---------------------------	---------------------------

8 7 6 5 4 3 2 1

REVISIONS			
REV	DESCRIPTION	DATE	APPROVED
-	INITIAL RELEASE	3/14/05	BC
A	MODIFIED BOM QTY TITLE, NOTE INCLUDES ITEMS NOT IN BOM TABLE	3/30/10	CC
B	UPDATED BOM	10/29/10	CC
C	UPDATED BOM CHANGED PC 54	11/23/10	GG
D	ECO-0031312: REENUMBER P/L, REVISE NOTES; CLARIFY ANTISEIZE AND SILICONE	1/28/13	TH TQD GA

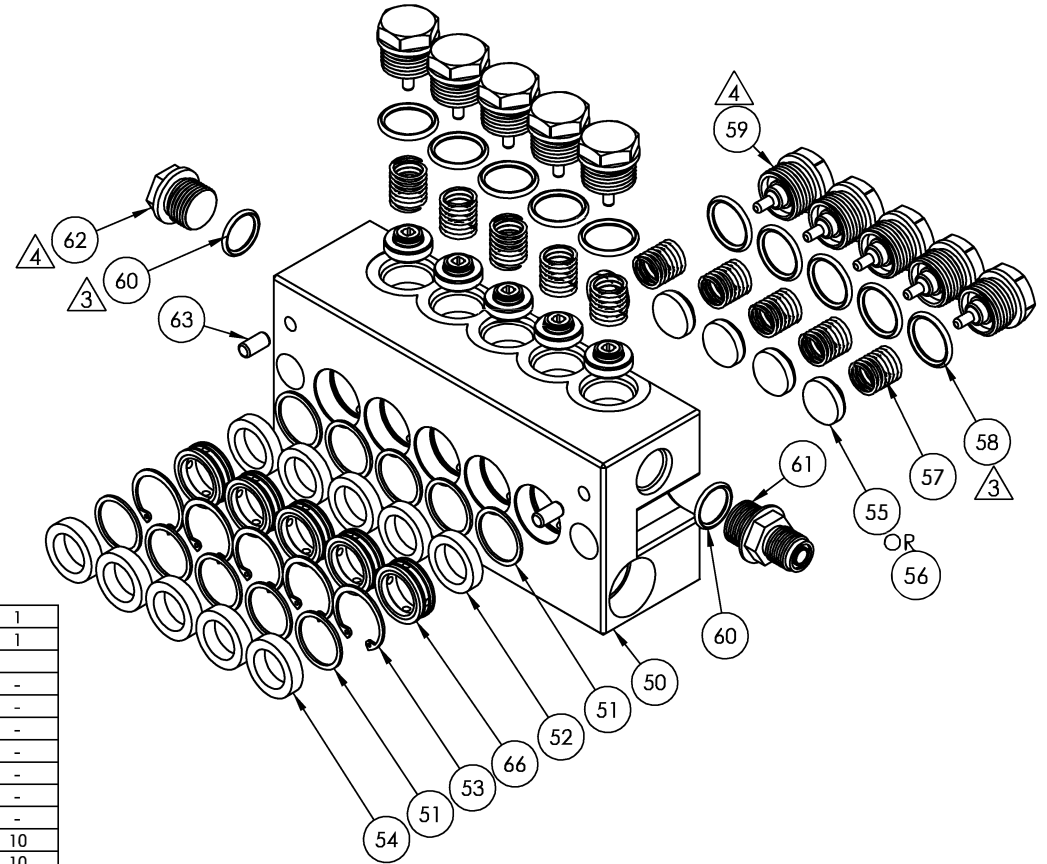
NOTES:

1) ASSEMBLY PART NUMBERS ARE AS FOLLOWS:

- 70-6123 ASSY, MANIFOLD, 708-5, 8.0 GPM
- 70-6105 KIT, REBUILD, MANIFOLD, 708-5, 8.0 GPM MODEL PRODUCTION CUT IN FEB-02
- 70-6108 KIT, REBUILD, MANIFOLD, 708-5, 7.0 GPM MODEL PRODUCTION CUT OUT AUG-02
- ITEM 44 IS 70-6093 INSTEAD OF 70-6104
- 70-6184 KIT, ROUTINE SERVICE, 708-5

2) PART NUMBER 85-0087 AND 21-1122 ARE NOT SHOW IN DRAWING

- 3) APPLY A THIN LAYER OF SILICONE GREASE (ITEM 68 P/N 21-1122) TO ALL O-RINGS.
- 4) APPLY A LAYER OF GRAPHITE ANTISEIZE 85-0094 (ITEM 65) (OR P/N 90-0928) TO ALL THREADS OF ITEMS # 59, 61, 62.



68	21-1122	SILICONE GREASE	-	1	1	1
67	85-0094	ANTISEIZE, GRAPHITE, FOOD GRADE	-	-	-	1
66	70-3018	ASSY, WEEP RING, 708 SERIES	5	-	-	-
65	85-0928	ANTISEIZE, GRAPHITE, FOOD GRADE	A/R	-	-	-
64	-	NOT USED	-	-	-	-
63	70-6087	PIN, MANIFOLD, 708 SERIES	2	-	-	-
62	70-3052	PLUG, HP DISCHARGE, 708-3/5	1	-	-	-
61	30-1082	ADAPTER, HP DISCHARGE, 708 SERIES	1	-	-	-
60	30-1286	O-RING, PLUG, OIL DRAIN	2	2	2	-
59	70-0660	PLUG, VALVE, HD, 708 SERIES	10	-	-	-
58	70-6002	O-RING, OIL DRAIN/VALVE PLUG	10	10	10	10
57	70-6003	SPRING, VALVE, 708 SERIES	10	10	10	10
56	70-6093	VALVE, PUMP, STD	-	-	10	-
55	70-6104	ASSY, VALVE, HVY DUTY, 708 SERIES	10	10	-	10
54	70-6009	SEAL, LP, 708 SERIES	5	5	5	5
53	70-6010	RING, SNAP, 708 SERIES	5	5	5	-
52	70-0071	SEAL, HP, 708 SERIES	5	5	5	-
51	70-6016	RING, SPACER, SEAL, 708 SERIES	10	10	10	-
50	70-6053	MANIFOLD, 708 SERIES, 5 PLUNGER	1	-	-	-

ITEM	PART NUMBER	DESCRIPTION	QTY (70-6123)	QTY REBUILD KIT (70-6105)	QTY REBUILD KIT (70-6108)	QTY SERVICE KIT (70-6184)
------	-------------	-------------	---------------	---------------------------	---------------------------	---------------------------

SIZE B	TITLE ASSEMBLY, 708-5 MANIFOLD	REV D
DATE: 03-14-05 J RODRIGUEZ		SHEET 3 OF 3

8 7 6 5 4 3 2 1